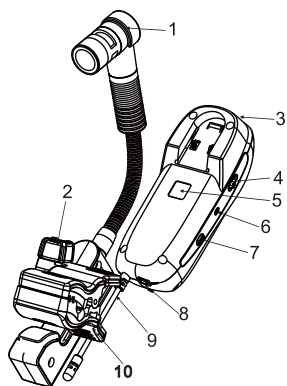


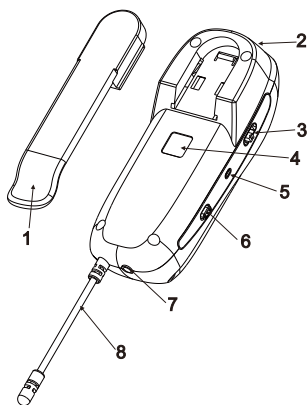
SAX332



- | | |
|-----------------------|----------------------|
| 1. Capsule | 6. Indicator light |
| 2. Nail | 7. Power switch |
| 3. Audio input | 8. Rechargeable port |
| 4. attenuation switch | 9. Antenna |
| 5. IR window | 10. Saxophone Clamp |

SAXOPHONE/BODYPACK TRANSMITTER

- Carrier Frequency: UHF 660-690 MHz, optional
- Bandwidth: 12.5MHz
- Frequency Switch: IR SYNC
- Output Power: 10mW
- Harmonic Radiation: <-50 dBc
- Battery: Built-in lithium battery
- Battery Life: >3h



- | | |
|-----------------------|----------------------|
| 1. Bodypack Clamp | 5. Indicator light |
| 2. Audio input | 6. Power switch |
| 3. attenuation switch | 7. Rechargeable port |
| 4. IR window | 8. Antenna |

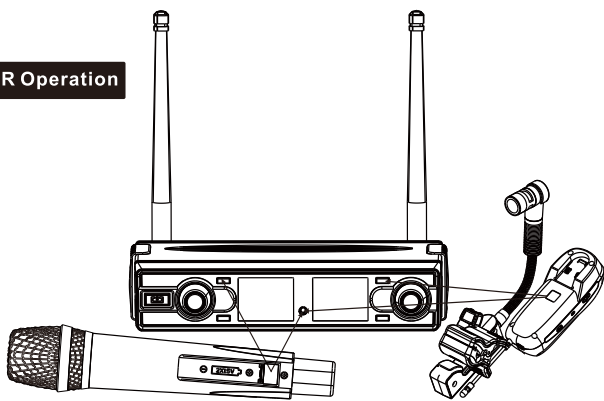
► AUDIO INPUT

Support to connect extra wired microphone or sound source equipment. For example, lapel mic, headset mic, MP3, mobile phone and so on.

RECEIVER OPERATION

- Pull out antennas(11) (12) and keep their angle 90° with receiver.
- Power supply connection:
Connect power supply with DC input(16), make sure local power supply matches the item needed.
- Audio output connection:
MIX output: connect one end of the attached audio cable into OUT. MIXport (13), meanwhile connect the other end into MIX IN or AUX IN port of mixer or speaker.
- Balance output: connect the audio cable(attached) to the MIX. OUTsocket (14/15) while other side connect to MIX. IN or AUX. In socket of the audio mixer or power amplifier.
- Connect the USB charge cable
Connect the charge cable (attached) to USB socket (17) while other side connect to the saxophone/handheld microphone

SNYC IR Operation

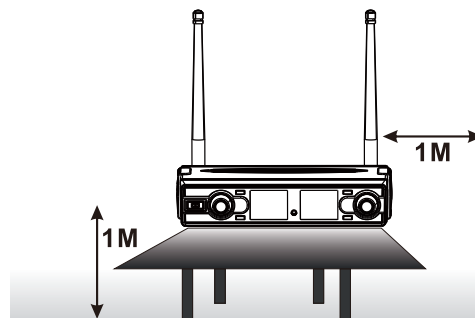


SNYC IR operation shows as above picture. Boot up receiver, and then long press IR button for 3 seconds till the IR indicator flashing and transmit IR signal, meanwhile, boot up microphone and keep its IR window close to receiver's. Same frequency will show on microphone and receiver at the same time when IR SNYC successfully, and RF signal will show on LDC on receiver.

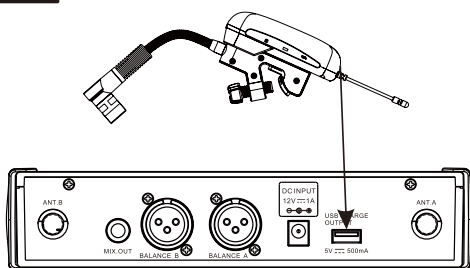
- Turn on the power button (1), TFT screen (5/7) is lighting, receiver is in working status.
- Select function by adjusting the SET UP knob (2/10) (Function details refer to the instruction of receiver TFT LCD display function)
- See below IR SYNC picture, long press IR button under unlock status, receiver start sending signal, automatically turn to work after completion.

Note: Before turn on the receiver, turn the volume control knob (2/10) to the minimum volume, adjust the volume as needed when the receiver is working.

- ▶ Warnings of Receiver installation
- ▶ Beyond 1 meter more away from the wall
- ▶ Beyond 1 meter more away from the floor
- ▶ Antenna fully pull out, or will effect receiving signal



Rechargeable Operation



- See below RECHARGEABLE picture, use charge cable to connect (17) and saxophone transmitter's rechargeable port to recharge. When fully charged it will be cut off automatically

KRIEG®

www.krieg.mx