



KD332

**UHF DIGITAL
WIRELESS MICROPHONE**



USER MANUAL

Please read this manual carefully before use.

CONTENTS

Brief Introduction.....	2
Main Features.....	2
Parts (Receiver).....	3
Receiver screen.....	4
Handheld Mic Operation	7
Saxophone Mic operation.....	9
Bodypack Operation.....	10
Receiver operation.....	10
Technique Specification.....	12
Warning	14

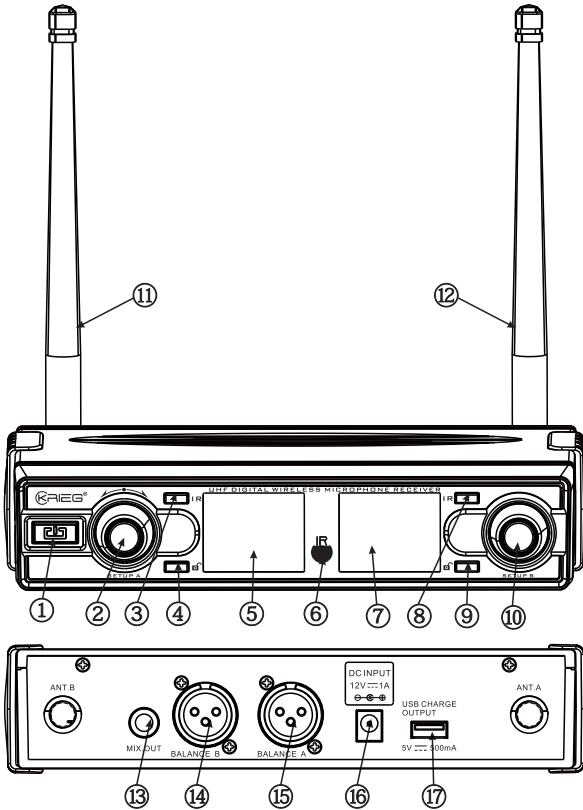
I. BRIEF INTRODUCTION

Wireless microphone system is very easy to install and convenient to use, the first choose for singers. This model adopts intelligent cryptographic hardware, to achieve unique sound and RF performance. Frequencies group, colorful TFT display and humanized menu make it easy for single or multi-sets installation.

II. MAIN FEATURES

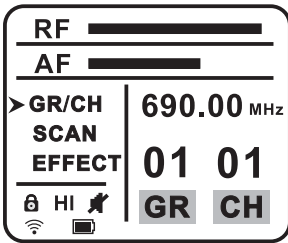
- Optional UHF band 660-690 MHz
- Unique digital 16 bit ID pilot technology, no crosstalk disturbance even in same frequency;
- Ultra- short audio latency
- Audio sampling mode: 48K
- Frequency response: 30-20KHz
- Receiver use colorful TFT display and menu settings
- Auto frequency scanning and frequency spectrum display
- Built-in echo, EQ, funtion

III.PARTS(RECEIVER)




- | | |
|----------------------|-----------------------------|
| 1. POWER | 10. SETUP B |
| 2. SETUP A | 11.ANT-A |
| 3. IR | 12.ANT-B |
| 4. UNLOCK | 13.MIX.OUT |
| 5. TFT WINDOW | 14.BALANCE A |
| 6. IR | 15.BALANCE B |
| 7. TFT WINDOW | 16.DC INPUT |
| 8. IR | 17.USB CHARGE OUTPUT |
| 9. UNLOCK | |

IV.RECEIVER SCREEN



RF  RF: Indicate signal intensity, the longer length of the color, the stronger signal.

AF  AF: Indicate audio level, the longer length of the color, the stronger signal.

GR/CH: GR: Group: Indicate the current frequency group.
 CH: Channel: Indicate the current frequency channel.

SCAN: Auto scan. Automatically scan up or down to search for available frequency until the desired frequency is reached can be set under SCAN function.

EFFECT: Audio Effect Setting menu and condition.

 LOCK: Receiver in LOCK status.

 MUTE: Receiver in mute status.

 IR ICON: When flashing indicate now is sending SYNC signal.

 Battery: Indicate the handheld microphone battery status.

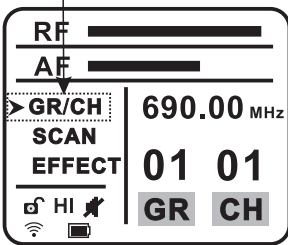
Display function operation

When the receiver working, long press UNLOCK to un-locked the system before setting. Initial setup from channel adjustment, below is the operation of the product.

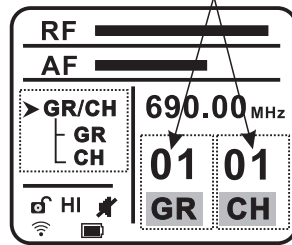
Note: the below setting is under unlock status, long press UNLOCK before setting.

• Channel setting mode

select menu icons

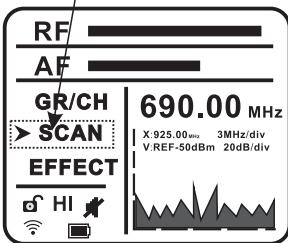


number change

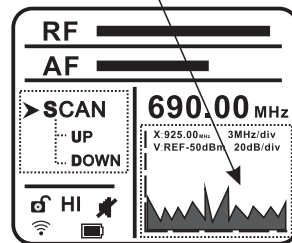


• Scan available channels mode

select SCAN menu

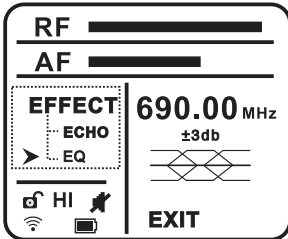
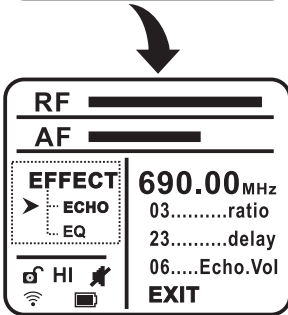
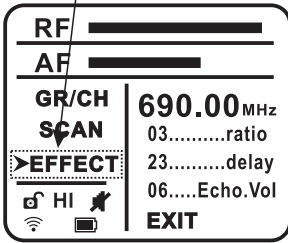


Spectrum Analysis of Environmental



● EFFECT SETTING

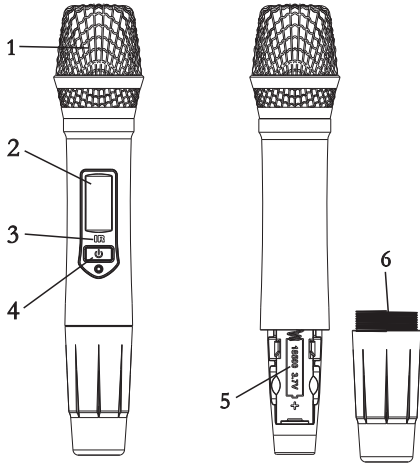
Select EFFECT menu



	Ratio: Echo proportion
ECHO	Delay: Delay level
03.....ratio	
23.....delay	
06..Echo.Vol	Echovol: Echo volume

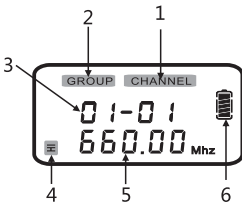
EQ	±3db	Bass Increase
		Bass Decay
		Medium Increase
		Medium Decay
	±6db	Tremble Increase
		Tremble Decay
	By Pass	
EXIT	EXIT	

V. HANDHELD MIC OPERATION



1. Microphone Capsule: pick up sound.
2. LCD: indicates microphone working status.
3. ON/OFF Switch: control handheld microphone to be power on, off and mute.
4. IR Window: SYNC IR signal with receiver IR window.
5. Battery Sink: insert 1 X 18500 lithium battery with correct direction.
6. Mic Cap: unscrew it when change batteries.

► HANDHELD LCD



1. **CHANNEL** : channel
2. **GROUP** : group
3. **01-01** : 01 group 01 channel
4. **HI** : handheld is set in high-power transmitting condition, item can work in longer distance.
5. **660.00** : working frequency.
6. **[Battery Icon]** : flashing when low battery.

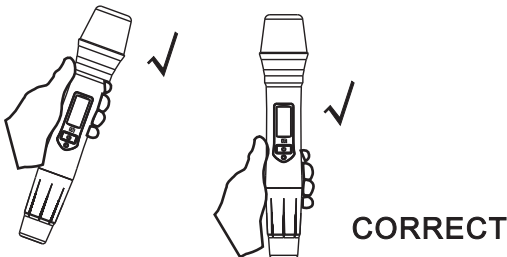
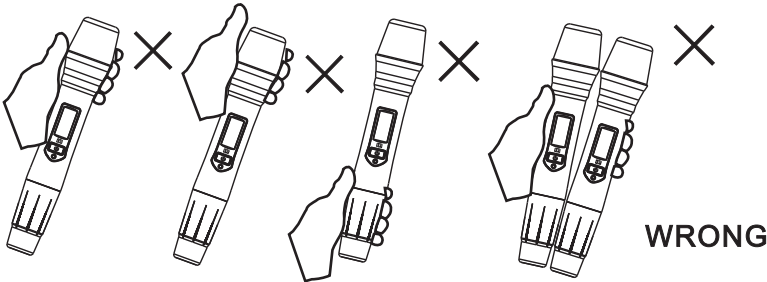


On working status, long pressing switch to shut down handheld.

- Open battery cover, insert 1 X 18500 lithium battery with correct direction.
- Check batteries direction or status if LCD is not bright after long pressing switch for 3 seconds. Batteries need to be changed in low condition, when battery symbol flashing on LCD.
- Device works properly only if handheld and receiver are in same frequency.
- Handheld is in default mode when switched on and the frequency is the same as last used. Re-SYNC with receiver is necessary when change any setting.

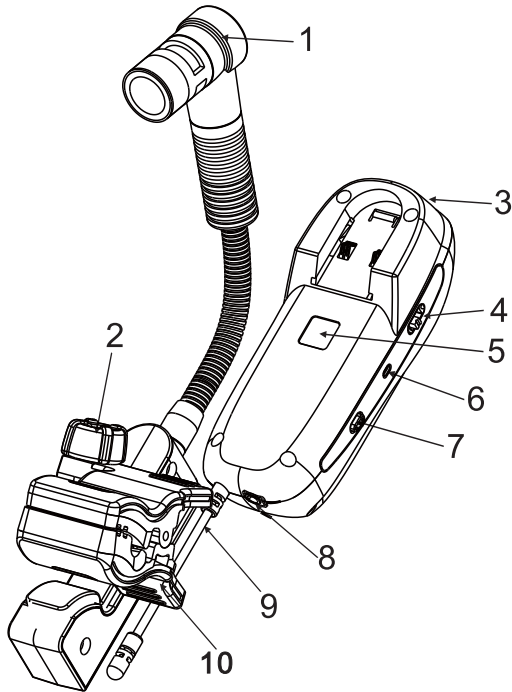
NOTE: IR SYNC function is available only within 30 seconds after booting up handheld.

► Handheld Microphone Holding Ways



- Keep distance of mouth and mic head less than 15CM.
- Avoid using mic head to point to speakers.

VI. SAXOPHONE WIRELESS TRANSMITTER



1. Capsule

2. Nail

3. Audio input

4. attenuation switch

5. IR window

6. Indicator light

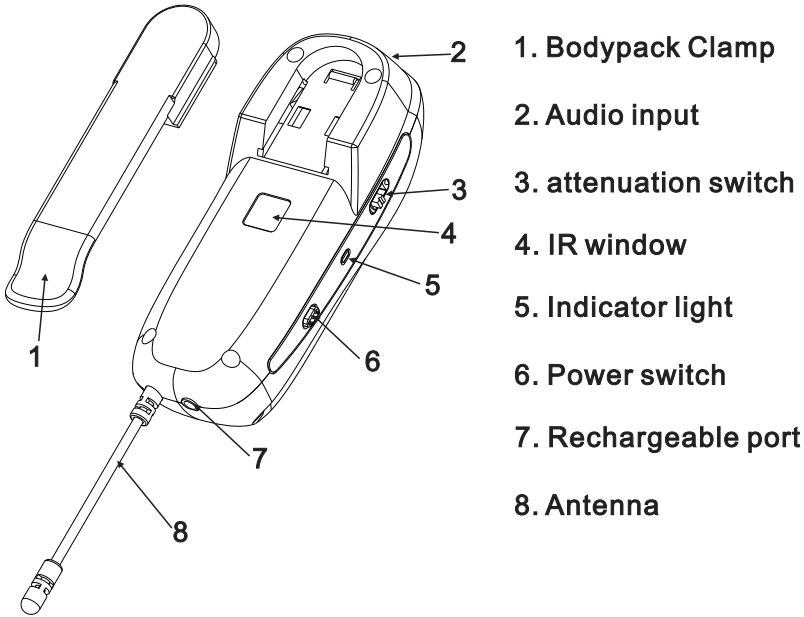
7. Power switch

8. Rechargeable port

9. Antenna

10. Saxophone Clamp

VII. BODYPACK OPERATION



1. Bypack Clamp
2. Audio input
3. attenuation switch
4. IR window
5. Indicator light
6. Power switch
7. Rechargeable port
8. Antenna

► AUDIO INPUT

Support to connect extra wired microphone or sound source equipment. For example, lapel mic, headset mic, MP3, mobile phone and so on.

VIII. RECEIVER OPERATION

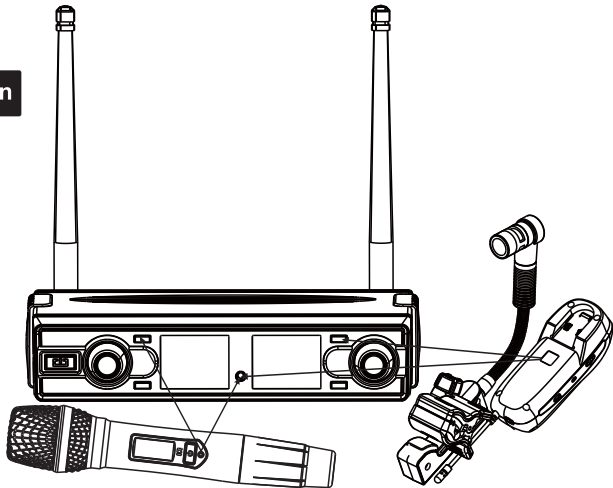
- Pull out antennas(11) (12) and keep their angle 90° with receiver.
- Power supply connection:
Connect power supply with DC input(16), make sure local power supply matches the item needed.
- Audio output connection:
MIX output: connect one end of the attached audio cable into OUT. MIXport (13), meanwhile connect the other end into MIX IN or AUX IN port of mixer or speaker.

- **Balance output:** connect the audio cable(attached) to the MIX. OUTsocket (14/15) while other side connect to MIX. IN or AUX. In socket of the audio mixer or power amplifier.
- **Connect the USB charge cable**
Connect the charge cable (attached) to USB socket (17) while other side connect to the saxophone/handheld microphone
- **Turn on the power button (1) , TFT screen (5/7) is lighting,** receiver is in working statue.

Note: Before turn on the receiver, turn the volume control knob (2/10) to the minimum volume, adjust the volume as needed when the receiver is working.

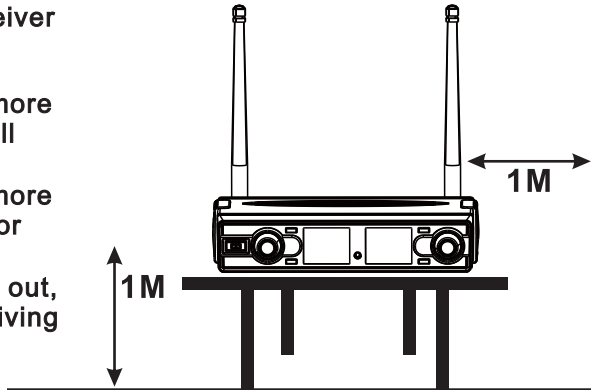
- **Select function by adjusting the SET UP knob (2/10) (Function details refer to the instruction of receiver TFT LCD display function)**
- **See below IR SYNC picture, long press IR button under unlock status, receiver start sending signal, automatically turn to work after completion.**

SNYC IR Operation



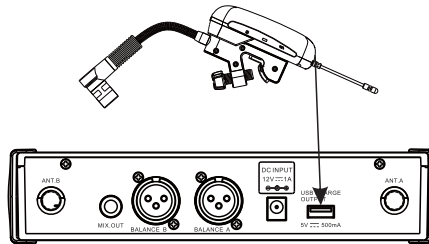
SNYC IR operation shows as above picture. Boot up receiver, and then long press IR button for 3 seconds till the IR indicator flashing and transmit IR signal, meanwhile, boot up microphone and keep its IR window close to receiver's. Same frequency will show on microphone and receiver at the same time when IR SNYC successfully, and RF signal will show on LDC on receiver.

- ▶ Warnings of Receiver installation
- ▶ Beyond 1 meter more away from the wall
- ▶ Beyond 1 meter more away from the floor
- ▶ Antenna fully pull out, or will effect receiving signal



- See below RECHARGEABLE picture, use charge cable to connect (17) and saxophone transmitter's rechargeable port to recharge. When fully charged it will be cut off automatially

Rechargeable Operation



IX. TECHNICAL SPECIFICATION

RECEIVER

- **Carrier Frequency:** UHF 660-690 MHz
- **Bandwidth:** 12.5MHz
- **Channel Bandwidth:** 300KHz
- **Dynamic Range:** 96dB
- **Distortion:** <0.1%
- **Frequency Response:** 30-20KHz/±2dB
- **Signal/ Noise Ratio:** 96dB
- **Receiving Sensitivity:** <3ms
- **Power Supply:** DC12~18V 1A
- **Audio Output:** 1x 6.3mm, 2x XLR balance output

BODYPACK TRANSMITTER optional

- **Carrier Frequency: UHF 660-690 MHz, optional**
- **Bandwidth: 12.5MHz**
- **Frequency Switch: IR SYNC**
- **Output Power: 10mW**
- **Harmonic Radiation: <-50 dBc**
- **Battery: 2X1.5VAA battery**
- **Battery Life: >5h**

HANDHELD TRANSMITTER/SAXOPHONE optional

- **Carrier Frequency: UHF 660-690 MHz, optional**
- **Bandwidth: 12.5MHz**
- **Frequency Switch: IR SYNC**
- **Output Power: 10mW**
- **Harmonic Radiation: <-50 dBc**
- **Battery: Built-in lithium battery**
- **Battery Life: >5h**

**WARNING****ANNOUNCEMENTS**

- Do place receiver in open space, so that it can receive signal better;
- Do not throw the device;
- Do not place device under rain or drop it into water;
- Keep device away from sunshine or electromagnetic field;
- Do insert batteries in right way, and remove them if device is idle for long time;
- Cut off power supply before battery replacement;
- Pull out power adaptor from power supply if receiver is idle for long time;
- Do not take apart device without permission, in case users are injured;
- Device doesn't contain any part for self refitting, otherwise, warranty will be void;
- Use soft cloth to clean device, if there's any stubborn stain, clean it with neutral detergent but not volatile gasoline or thinner;
- Keep at least 30CM space around device for better ventilating;
- Do not cover ventilation hole with paper, tablecloth or curtain;
- Do not put fire on device like burning candle;
- Keep device away from water drops, or any container with liquid like vase;
- Do not use new and old batteries at the same time, besides, replace them with same kind batteries; Discarding batteries to specific recycling bin;
- Working temperature: 5°C- 60°C;
- Please try below methods to solve interfered problem when using wireless microphones
- Adjust place or direction of the antenna;
- Keep away from radio or TV;
- Do not plug in same electrical socket outlet with radio or TV;
- The best angle is 45°C for mouth and microphone when speech, in order to reduce affected by airflow from mouth;
- Using 1 microphone when 1 sound input, otherwise sound will be mixed;
- Keep distance of mouth and microphone less than 15CM because of cardioid pickup, otherwise bass is not good;

COPYRIGHT:
All Right Reserved.



www.krieg.mx